



TAKE A DIFFERENT ROAD

THE NEW LANCER  
**EVOLUTION X**



## WHEN THEORIES BECOME REALITY

The new Mitsubishi Lancer Evolution X is more sophisticated, involving and technologically-advanced than ever before. It incorporates every bit of knowledge Mitsubishi Motors has gained through the creation of the previous nine generations of Lancer Evolution and from decades of competing

successfully at the highest levels of international rallying. Most importantly, Lancer Evolution X connects and interacts completely with the driver in all conditions, providing the very highest levels of driving pleasure to match its mighty performance.





LANCER  
EVOLUTION X

## FORM FOLLOWS FUNCTION

Based on a completely new platform, the Lancer Evolution X looks fantastic from every angle. And each part is there for a reason: to provide the most thrilling drive ever offered. The purposeful stance is produced by 30mm wider tracks and a wheelbase that is 25mm longer compared to the previous model, making the new Lancer Evolution X more composed than ever before. The use of lightweight materials gives the car an agility which will exceed every expectation.



### BREATHE DEEPLY

The impressive vents and large 'jet fighter' style front grille of the Lancer Evolution X provide all the air and cooling the engine needs to produce amazing power. Additional front air ducts ensure a cooling airflow over the two-piece front brake discs.

### STICKS TO THE ROAD

As well as looking breathtaking, the advanced aerodynamics of the Lancer Evolution X keep you glued firmly to the road, raising cornering ability and high speed stability to new heights. A carbon fibre front lip spoiler and rear vortex generator hint at the FQ-360 models' superior performance potential.



## COMFORT THAT PERFORMS AT EVERY SPEED

The contemporary interior of the new Lancer Evolution X provides maximum support and reassurance with the perfect blend of style, functionality and comfort. The driver-focused dashboard provides ideal ergonomics with sporting appearance, allowing you to get on with enjoying the superb drive on offer.

The front Recaro seats – trimmed with leather and techno suede in FQ-360 models – have been tuned specifically for Lancer Evolution X and hold occupants securely, yet in complete comfort. High-contrast instruments keep you fully informed at all times.



The Lancer Evolution X is packed with equipment to entertain and keep you up-to-date on any journey. GSR model specification includes a Rockford Fosgate premium audio system specifically developed for the Lancer Evolution X featuring a 650-watt 8-channel power amplifier with nine

speakers. Also standard for GSR models, the Mitsubishi Multi Communication System with HDD navigation and music server uses a super-quick 30GB hard disk drive. And all models offer Bluetooth functionality allowing you to make calls while keeping your hands where they should be: on the steering wheel.

## THE POWER WITHIN

At the heart of the Lancer Evolution X is a new all-aluminium engine that in FQ-300 models pumps out an impressive 295PS and 407Nm of torque; this increases to 329PS and 437Nm for FQ-330 versions and a mighty 359PS and 492Nm in the range-topping FQ-360 models. Yet with Super All Wheel Control (S-AWC) working in complete harmony with the precise steering and sophisticated suspension system featuring Bilstein shock absorbers and Eibach coil springs, you can put every bit of the available muscle to the tarmac with absolute control, total confidence and maximum enjoyment.



### STRONGER YET LIGHTER MIVEC TURBO

The engine features direct valve activation and variable timing for both intake and exhaust valves to improve performance at all speeds. Despite its high output, the new die-cast aluminium engine block is 12kg lighter and positioned 10mm lower than in the Lancer Evolution IX, resulting in a lower centre of gravity.

### TITANIUM TURBOCHARGER

The turbocharger uses titanium for the turbine wheel and aluminium for the compressor wheel, which is 18% more efficient than before.

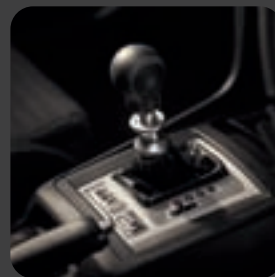
## CHANGE UP A GEAR

### TWIN-CLUTCH SPORT SHIFT TRANSMISSION (TC-SST)

The Lancer Evolution X FQ-300 GSR SST boasts a light and compact six-speed Twin-Clutch Sport Shift Transmission (TC-SST) which uses two clutches, one to engage the gear in use, the other to pre-select the next gear required, resulting in lightning-quick changes. The magnesium shift paddles behind the steering wheel allow you to make rapid gear changes without taking hands off the wheel, giving you full control of the car in maximum comfort. TC-SST also offers three driving modes, including the Super Sport mode that keeps engine speed above 4500rpm for maximum responsiveness and control in sporting environments such as race tracks, and can operate in automatic mode when the gearshift is moved to 'D'.

### FIVE-SPEED MANUAL

The five-speed manual gearbox is perfect for the driver who enjoys driving in its purest form. Now stronger, the gearbox uses multi-synchromesh on all gears for smoother changes.



## TAKE CONTROL OF EVERY WHEEL

The Super All Wheel Control (S-AWC) system of the new Lancer Evolution X incorporates and controls four advanced electronic and mechanical devices that work together to adapt the way the car responds to the driver and conditions. S-AWC works seamlessly to keep the power under control and can be tailored to snow, gravel or tarmac surfaces at the flick of a switch. It is no exaggeration to say that S-AWC is unrivalled by any other driver assistance system in existence.

### WORKING TOGETHER IN PERFECT HARMONY

- ACD** The Active Centre Differential optimizes the torque differential between front and rear wheels to enhance steering response, traction and stability.
- AYC** Active Yaw Control optimizes the torque differential between the rear wheels to enhance cornering performance and traction.
- ASC** Active Stability Control immediately detects wheel slip and, by strategically applying each individual brake according to need, prevents a loss of control developing.
- ABS** The Lancer Evolution X's Anti-lock Braking System works to prevent wheels from locking up under emergency braking or when braking in extreme situations such as on slippery surfaces, helping the driver to retain directional control of the car.



## ACD AND AYC: EXTRA-SENSORY PERCEPTION

The ACD/AYC system uses many sensors to closely monitor the behaviour of the Lancer Evolution X and provides control quickly and effectively, without disrupting driver involvement. Sensors measure individual wheel speed, longitudinal and lateral acceleration, steering angle, yaw rate, brake fluid pressure, engine torque and engine speed, all working to ensure that you remain in control, even during on-the-limit driving.

Now even more advanced, the AYC system incorporates a brake force control function that makes it even more effective at controlling understeer, helping you to maintain your intended line.

## OUR FINEST TUNED CAR EVER

The new, super-stiff body of the Lancer Evolution X provides the perfect platform for the suspension to do its job. Aluminium front wings, bonnet and roof reduce weight and lower the centre of gravity, taking acceleration, handling and body control to new levels.

To produce incredible handling, the Lancer Evolution X has wider tracks and utilizes stiff struts at the front with a sophisticated new low-mounted multi-link arrangement at the rear. The suspension components are designed to greatly enhance road contact, allowing the Bilstein shock absorbers and Eibach coil springs to control wheel movement with absolute precision.

The huge 350mm Brembo brakes feature new 2-piece brake discs to provide awesome stopping power. The Sports ABS system, which incorporates Electronic Brakeforce Distribution (EBD), is fully integrated into the S-AWC system, producing even more effective braking, also while cornering.



## ANATOMY OF THE LEGEND

This is also the safest Lancer Evolution ever. In addition to the active safety features that are designed to keep you out of trouble, Lancer Evolution X is equipped as standard with front, side and full-length curtain airbags to protect all occupants in the event of a collision. The driver's side knee airbag significantly reduces the risk of lower limb injury and the front seatbelt pretensioners and force-limiters provide greater restraint and yet transfer fewer impact forces to occupants.

The RISE (Reinforced Integrated Safety Evolution) body of Lancer Evolution X uses bracing, cabin reinforcements and ultra high-tensile steel to increase strength and to ensure that energy is directed away from occupants should a collision occur.

Together with excellent all-round visibility, Lancer Evolution X is equipped with high-intensity bi-xenon headlamps and new Adaptive Front lighting System (AFS) with cornering lamps that illuminate the inside of corners, highlighting potential hazards and making driving at night much safer. The system is activated at speeds up to 62mph dependant upon steering angle.

## AHEAD OF THE PACK

Performance driving is about far more than raw speed. The new Lancer Evolution X provides this in abundance, yet it offers far more. For 16 years, Mitsubishi Motors has been perfecting the Lancer Evolution formula, an unequalled combination of speed, road-holding, practicality and driver involvement.

A truly great performance car needs to connect and interact completely with the driver, something the new Lancer Evolution X does effortlessly in all conditions, thanks to advanced technology that guarantees a driving experience you will never forget.



### PUSHING THE LIMITS

Mitsubishi Motors possesses an extremely impressive record in the punishing motorsport arena of world rallying. To triumph in these events, a car must be tough, fast, safe and extremely reliable; qualities that have brought the Lancer Evolution its success both in rallies and on the street.



## THE COMPLETE PACKAGE

The new Lancer Evolution X will not only appeal to your heart, but also to your head. Packed with state of the art technology, it is more refined and better equipped than ever before. Yet

one thing hasn't changed: Lancer Evolution X still delivers the legendary reliability and robustness you expect, as well as the huge levels of performance you demand.



If you would like to learn more about the new Lancer Evolution X, please visit your local Ralliart Authorised Mitsubishi Motors dealer and ask for a copy of "The Evolution Theory", an 88-page combined book and brochure.

## STANDARD KEY FEATURES

### ALL MODELS

- Super All Wheel Control
- 5-speed manual transmission (except GSR SST FQ-300)
- Brembo braking system with Sports ABS + EBD
- 18" Enkei alloy wheels
- HID (Xenon) headlamps with Adaptive Front lighting System (AFS)
- Air conditioning, climate control
- Electric windows and door mirrors
- Auto lights-on and wiper rain sensor
- Recaro full bucket front seats
- Leather-wrapped steering wheel with audio and Bluetooth controls
- Dual front/side/curtain and driver's knee SRS airbags
- Keyless entry, alarm and Tracker security systems
- Fabric seat trim, dark grey

**GS:** CD/tuner with MP3 compatibility

**GSR:** HDD navigation with radio and music server (MMCS)  
Rockford Fosgate premium audio

### GSR SST FQ-300

STANDARD KEY FEATURES PLUS:

- 6-speed Twin Clutch Sport Shift Transmission (TC-SST)
- SST steering wheel paddle shift
- SST mode selector switch

### GS/GSR FQ-330

STANDARD KEY FEATURES PLUS:

- Power upgrade (329PS)

### GS/GSR FQ-360

STANDARD KEY FEATURES PLUS:

- Power upgrade (359PS)
- Carbon fibre front lip spoiler
- Carbon fibre vortex generator, rear roof
- Carbon fibre rear bumper exhaust shields
- Leather/Techno-suede seat trim
- Carbon fibre gearshift knob, handbrake lever and pedal kit
- Premium floor mat set

### FQ-300/330



### GS INTERIOR



### GSR INTERIOR (SST ILLUSTRATED)



### FQ-360



### FQ-360 INTERIOR (GSR ILLUSTRATED)



## TECHNICAL SPECIFICATIONS

Model		Lancer Evolution X			
		GS/GSR FQ-300	GSR SST FQ-300	GS/GSR FQ-330	GS/GSR FQ-360
<b>Engine</b>					
Type		In-line 4-cylinder 16-valve DOHC MIVEC variable valve timing with Turbocharger and Intercooler			
Fuel system		Electronically controlled multi-point injection (ECI-MULTI)			
Displacement	cc	1998	1998	1998	1998
Bore/stroke	mm	86.0 x 86.0	86.0 x 86.0	86.0 x 86.0	86.0 x 86.0
Compression ratio		9.0:1	9.0:1	9.0:1	9.0:1
Max. output	kW (bhp)/rpm	217 (295)/6500	217 (295)/6500	242 (329)/6500	264 (359)/6500
Max. torque	Nm (lb.ft)/rpm	407 (300)/3500	407 (300)/3500	437 (322)/3500	492 (363)/3500
<b>Performance/Fuel Consumption/Emissions</b>					
Max. speed	mph (kph)	155 (250)	155 (250)	155 (250)	155 (250)
Acceleration 0-62 mph	secs	4.7	4.7	4.4	4.1
Fuel type		Premium Unleaded/RON98		Premium Unleaded/RON98	
Fuel consumption	Urban	14.2 (19.9)	14.8 (19.1)	15.0 (18.8)	21.9 (12.9)
lts/100km (mpg)	Extra urban	8.1 (34.9)	8.4 (33.6)	9.0 (31.5)	10.5 (26.9)
	Combined	10.3 (27.4)	10.8 (26.2)	11.1 (25.4)	14.2 (19.9)
CO <sub>2</sub> emissions	g/km	246	256	257	328
<b>Suspension/Steering</b>					
Front axle		MacPherson strut with inverted Bilstein shock absorbers, Eibach coil springs and stabiliser bar. Front strut brace.			
Rear axle		Multi-link, Bilstein shock absorbers, Eibach coil springs and stabiliser bar.			
Brakes		Brembo braking system with Sports ABS + EBD.			
Front		350mm (13.8") ventilated 2-piece disc, 4-pot			
Rear		330mm (13.0") solid disc with internal drum handbrake, 2-pot			
Steering		Rack and pinion, power-assisted		Rack and pinion, power-assisted	
Min. turning circle	m (ft)	11.8 (38.7)	11.8 (38.7)	11.8 (38.7)	11.8 (38.7)
Wheels		Enkei 18" x 8.5J alloy		Enkei 18" x 8.5J alloy	
Tyres		245/40R18 93Y	245/40R18 93Y	245/40R18 93Y	245/40R18 93Y
<b>Driveline/Transmission</b>					
Type		Full-time 4WD with S-AWC (Super All Wheel Control)			
Clutch Manual		Hydraulic, single plate	Twin-Clutch Sport Shift Transmission (TC-SST)	Hydraulic, single plate	Hydraulic, single plate
Transmission	Manual	5-speed	6-speed	5-speed	5-speed
Gear ratios	1st	2.857	3.655	2.857	2.857
	2nd	1.950	2.368	1.950	1.950
	3rd	1.444	1.754	1.444	1.444
	4th	1.096	1.322	1.096	1.096
	5th	0.761	1.008	0.761	0.761
	6th	-	0.775	-	-
	Reverse	2.892	4.011	2.892	2.892
Final gear ratio		4.867	4.062	4.867	4.867
<b>Dimensions</b>					
Exterior l x w x h	mm	4505 x 1810 x 1480		4505 x 1810 x 1480	
Ground clearance (unladen)	mm	135	135	135	135
Track Front/Rear	mm	1545/1545	1545/1545	1545/1545	1545/1545
Wheelbase	mm	2650	2650	2650	2650
<b>Weights/Volumes</b>					
Seating capacity		5	5	5	5
Fuel tank capacity	lts (imp.galls)	55 (12.1)	55 (12.1)	55 (12.1)	55 (12.1)
Gross vehicle weight	kg (lbs)	2040 (4498)	2040 (4498)	2040 (4498)	2040 (4498)
Kerb weight	kg (lbs)	1560 (3440)	1590 (3506)	1560 (3440)	1560 (3440)
<b>Servicing/Insurance/Warranty</b>					
Service intervals		Every 10,000 miles or 12 months, whichever occurs first (includes initial 1,000-mile lubrication service)			
Insurance group		19A	19A	20A	20A
Warranty		3 year unlimited mileage warranty, 12 year anti-corrosion perforation warranty, 3 year pan-European roadside, home and accident assistance			

STANDARD EQUIPMENT	GS FQ-300	GSR FQ-300	GS FQ-330	GSR FQ-330	GS FQ-360	GSR FQ-360
<b>SECURITY AND SAFETY FEATURES</b>						
<b>Security</b>						
Alarm/keyless entry	■	■	■	■	■	■
Engine immobiliser	■	■	■	■	■	■
Locking wheel nuts	■	■	■	■	■	■
Tracker security system	■	■	■	■	■	■
<b>Safety</b>						
Airbags SRS, driver's and front passenger's	■	■	■	■	■	■
Airbag SRS, driver's knee protection	■	■	■	■	■	■
Airbags SRS, front seat side and curtain	■	■	■	■	■	■
Electric windows, anti-trapping, front and rear	■	■	■	■	■	■
Fog lamp, rear	■	■	■	■	■	■
High-mount stop lamp, rear	■	■	■	■	■	■
ISO-Fix child seat mounting x 2, rear	■	■	■	■	■	■
Seatbelts, front – ELR 3-point x 2 with pretensioners and force limiters	■	■	■	■	■	■
Seatbelts, rear – ELR/ALR 3-point x 2 outer, ELR 3-point centre	■	■	■	■	■	■
Sports ABS with EBD	■	■	■	■	■	■
Super All Wheel Control (S-AWC)	■	■	■	■	■	■
Tether anchor x 3, rear	■	■	■	■	■	■
Tyre inflation kit	■	■	■	■	■	■
<b>EXTERIOR FEATURES</b>						
<b>Styling</b>						
18" alloy wheels, Enkei 12-spoke	■	■	■	■	■	■
Aluminium roof, bonnet and front wing panels	■	■	■	■	■	■
Diffuser, rear	■	■	■	■	■	■
Door mirrors and handles, colour-keyed	■	■	■	■	■	■
Exhaust muffler, sport type	■	■	■	■	■	■
Front airdam, colour-keyed	■	■	■	■	■	■
Front grille, black	■	■	■	■	■	■
Lip spoiler, front, carbon fibre	–	–	–	–	■	■
Privacy glass – rear screen and side windows	■	■	■	■	■	■
Rear spoiler, colour-keyed	■	■	■	■	■	■
Rear vortex generator, carbon fibre	–	–	–	–	■	■
Side airdams, colour-keyed	■	■	■	■	■	■
<b>Functional</b>						
Adaptive Front lighting System (AFS)	■	■	■	■	■	■
Door mirrors, electrically adjustable, heated and foldable	■	■	■	■	■	■
Fog lamps, front	■	■	■	■	■	■
Headlamps, HID (xenon), auto-levelling	■	■	■	■	■	■
Headlamps, auto-light sensor	■	■	■	■	■	■
Headlamp washers	■	■	■	■	■	■
Remote central door locking	■	■	■	■	■	■
Window demister, rear	■	■	■	■	■	■
Wipers, auto-rain sensors	■	■	■	■	■	■
Wipers, variable intermittent with washer, front	■	■	■	■	■	■
<b>INTERIOR FEATURES</b>						
<b>Audio/Navigation/Communications</b>						
Aerial, rear roof mounted	■	■	■	■	■	■
Audio remote controls, steering wheel mounted	■	■	■	■	■	■
Bluetooth telephone connection, steering wheel mounted	■	■	■	■	■	■
CD/tuner with MP3 compatibility and 6 speakers	■	–	■	–	■	–
HDD navigation/music server system with 7" touch-screen display	–	■	–	■	–	■
Rockford Fosgate premium audio with 9 speakers and 650W amplifier	–	■	–	■	–	■
iPod/MP3 auxiliary input port	–	■	–	■	–	■

## STANDARD EQUIPMENT

GS FQ-300

GSR FQ-300

GS FQ-330

GSR FQ-330

GS FQ-360

GSR FQ-360

## INTERIOR FEATURES continued

## Styling

Carpet including luggage area, needle punch	■	■	■	■	■	■
Door trim inserts and front centre armrest, fabric, dark grey	■	■	■	■	-	-
Door trim inserts, techno suede, black	-	-	-	-	■	■
Door handles, inner, chrome	■	■	■	■	■	■
Front centre armrest, leather, black	-	-	-	-	■	■
Gear knob, handbrake lever and sports pedals, carbon fibre	-	-	-	-	■	■
Gear knob, leather-wrapped, black	■	■	■	■	-	-
Pedals, sports type, aluminium	■	■	■	■	-	-
Premium floor mat set	-	-	-	-	■	■
Seat trim, fabric, dark grey	■	■	■	■	-	-
Seat trim, leather/techno suede, black	-	-	-	-	■	■
Steering wheel, leather-wrapped, black	■	■	■	■	■	■

## Convenience

Air conditioning, climate control	■	■	■	■	■	■
Assist grips, retractable x 4	■	■	■	■	■	■
Cup holders, front	■	■	■	■	■	■
Door pockets with bottle holders, front	■	■	■	■	■	■
Floor console box with lid	■	■	■	■	■	■
Glove box	■	■	■	■	■	■
Indicators, one-touch system	■	■	■	■	■	■
Seat belt, warning buzzer	■	■	■	■	■	■
Sunvisors x 2, with driver's ticket holder and passenger's vanity mirror	■	■	■	■	■	■

## Functional

Average fuel consumption display	■	■	■	■	■	■
Average speed display	■	■	■	■	■	■
Door mirrors, electrically adjustable, heated and foldable	■	■	■	■	■	■
Electric windows, front and rear with one-touch control	■	■	■	■	■	■
Fuel range indicator	■	■	■	■	■	■
Multi-information monitor (in instrument panel)	■	■	■	■	■	■
Remote boot lid release, key fob and driver's floor lever	■	■	■	■	■	■
Remote fuel lid release	■	■	■	■	■	■
SST steering wheel paddle shift	-	SST model	-	-	-	-
SST mode selection (normal/sport/super sport)	-	SST model	-	-	-	-
Steering wheel, tilt-adjustable	■	■	■	■	■	■

## Lighting

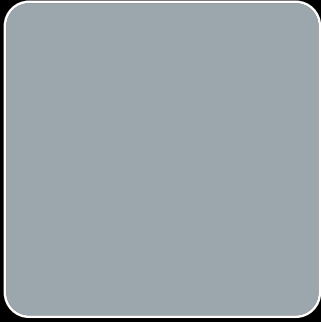
Ignition keyhole, illuminated	■	■	■	■	■	■
Interior lamp with integrated map lamps, front	■	■	■	■	■	■
Interior lamp, centre roof	■	■	■	■	■	■
Luggage/cargo area lamp	■	■	■	■	■	■

## Seats

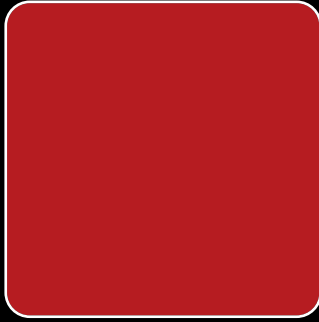
Armrest, front centre with storage box	■	■	■	■	■	■
Armrest, rear centre with cup holders	■	■	■	■	■	■
Front seats, Recaro, with integrated head restraints	■	■	■	■	■	■
Rear seats, fixed bench type with height-adjustable head restraints x 3	■	■	■	■	■	■

■ : Standard - : Not available

## BODY COLOURS AND SEAT TRIMS



COOL SILVER (M) A31

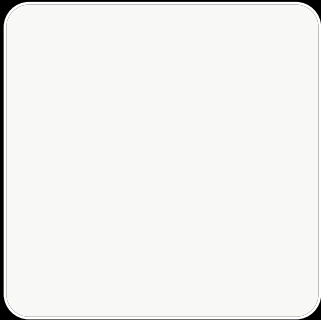


ORIENT RED (M) P26



LIGHTNING BLUE (P) D06

(M) Metallic (P) Pearlescent  
Colours and trims reproduced on these pages may vary from the actual colours due to the limitations of the printing process used.



PEARL WHITE (P) W13



PHANTOM BLACK (P) U02

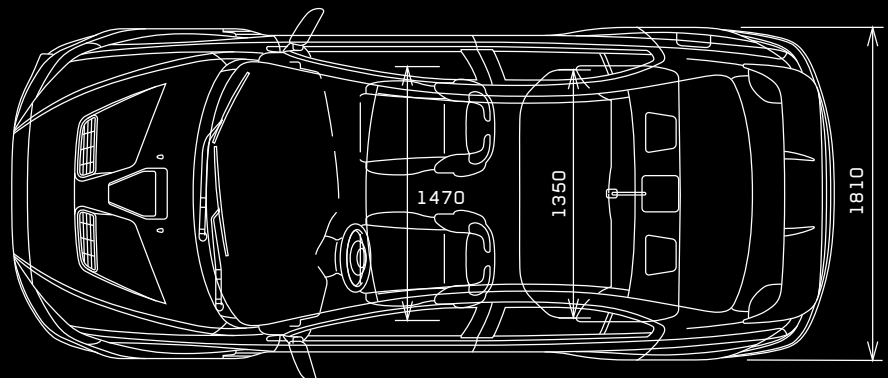
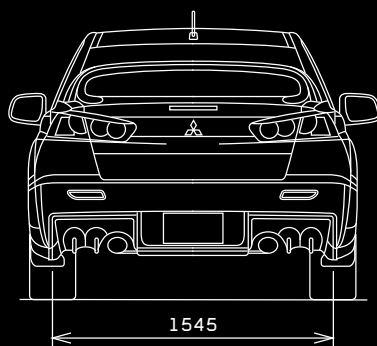
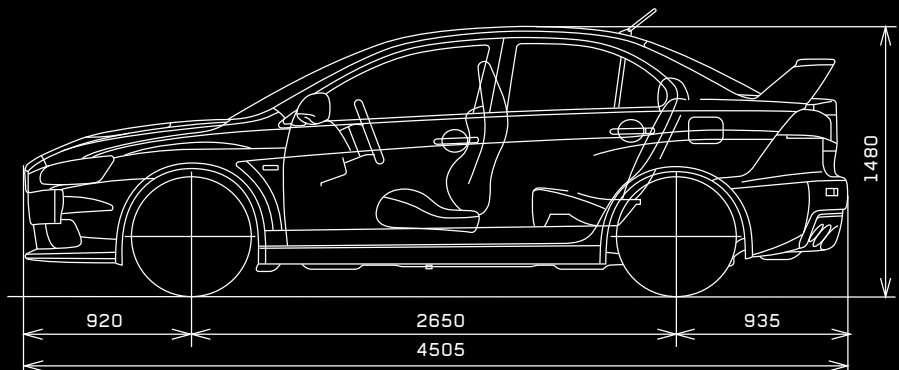
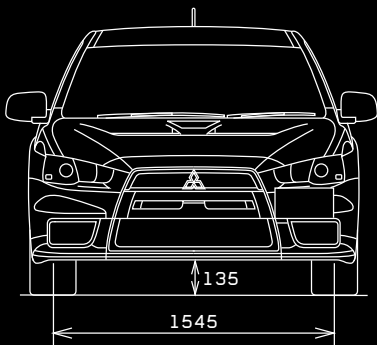


GS/GSR FQ-300/FQ-330  
Recaro Dark Grey Fabric  
bucket seat



GS/GSR FQ-360  
Recaro Black Leather/Techno Suede  
bucket seat

## DIMENSIONAL VIEWS



All measurements in millimetres.

## OUTSTANDING AFTER SALES FOR CAREFREE MOTORING

### MITSUBISHI SERVICE PLAN

Buy a Mitsubishi Service Plan and your initial 1,000-mile service and first three scheduled services (3 years/30,000 miles – whichever occurs first) will not cost you a further penny. This will give you peace of mind, safe in the knowledge that your vehicle will be maintained using only genuine parts and skilled Mitsubishi trained technicians.

The Mitsubishi Service Plan is transferable to a new owner and will enhance the resale value of your vehicle. Please ask your dealer for details.

### MITSUBISHI MOTORS GENUINE PARTS

Even the smallest technical faults can lead to accidents. Therefore, all Mitsubishi Motors Genuine Parts have been developed and tested to stringent quality standards. We recommend using Mitsubishi Motors Genuine Parts in order to maintain the safety and integrity of your vehicle and that of your passengers. Mitsubishi Motors Genuine Parts are available at all Mitsubishi Authorized Service Points.

### COMPREHENSIVE WARRANTY

All new Mitsubishi Lancer Evolution X vehicles come standard with a comprehensive 3-year unlimited mileage warranty as standard. The anti-corrosion perforation warranty covers rusting through for the first 12 years. The reliability statistics for Mitsubishi vehicles are impressive, but in the unlikely event that you do need help, we offer MAP.

## MITSUBISHI MOTORS RECYCLING

We all have a duty to protect the environment. After a long working life we will take back any Mitsubishi Motors vehicle originally sold by The Colt Car Company Ltd. and recycle it in an environmentally friendly manner in accordance with the EU Directive on End-of-Life Vehicles and any applicable national statutory provisions.

All Mitsubishi Motors vehicles sold by The Colt Car Company Ltd., irrespective of date of sale, will be taken back free of charge from the last owner at one of the designated take-back points, provided the vehicle contains all major components and is free of waste.

For further information please visit [www.cartakeback.com](http://www.cartakeback.com), email [info@cartakeback.com](mailto:info@cartakeback.com) or call the Cartakeback info-line on 0845 257 32 33.

### MAP – FREE BREAKDOWN ASSISTANCE



Throughout the 3-year warranty period your vehicle is covered by Mitsubishi Motors Assistance Package (MAP) roadside assistance. This cover extends to more than 30 countries throughout Europe so your mobility is guaranteed. Should you ever need assistance in the event of breakdown, accident, theft or vandalism – wherever you are, 24 hours a day, 7 days a week – just call the number on your card.

If the problem cannot be fixed on the spot, your car will be taken to the nearest Mitsubishi Authorised Service Point and you'll be offered services such as a hotel, continuation of journey or a replacement car. And if you continue to have your vehicle serviced at a Mitsubishi Authorised Service Point after the warranty period, your mobility will be guaranteed for an additional year or up to the next service (whichever comes first), for a nominal fee. This applies to vehicles up to 10 years old.

### PACE WARD INSURANCE



The Ralliart Official Insurance Scheme; for insurance policies designed for Lancer Evolution owners and tailored to meet your needs contact Pace Ward on 01782 286311, e-mail [EvoInsure@pw-f.co.uk](mailto:EvoInsure@pw-f.co.uk) or visit [www.pw-f.co.uk](http://www.pw-f.co.uk)



Specifications and warranty conditions may vary for overseas markets. For personal export, NATO or diplomatic sales, please contact the appropriate Export Department as follows:

U.K.: The Diplomatic and Export Manager at The Colt Car Company Ltd., Watermoor, Cirencester, Glos. GL7 1LF.

Tel: 08452 414777.

Germany: The Colt Car Company Ltd., P.O. Box 1244, 41374 Brüggen, Germany.

Tel: +49 2163 7036.

The specification of the vehicles illustrated in this publication may not be applicable to the UK market, furthermore some vehicle illustrations may include accessory items which are not part of standard UK specification. However, every effort has been made to ensure that the written information was accurate, up-to-date and consistent with UK specification at the time of going to press. The right is reserved to change specification, features and prices without prior notice. To avoid any misunderstandings, your Mitsubishi Motors dealer will advise of any alterations made since the date of issue of this brochure. No part of this publication may be reproduced in any form or by any means, without the prior written permission of The Colt Car Company Limited.

Head Office: The Colt Car Company Ltd., Watermoor, Cirencester, Glos. GL7 1LF  
Tel: 01285 655777 Fax: 01285 658026  
Website: [www.mitsubishi-cars.co.uk](http://www.mitsubishi-cars.co.uk)

EVOX5008 03/08